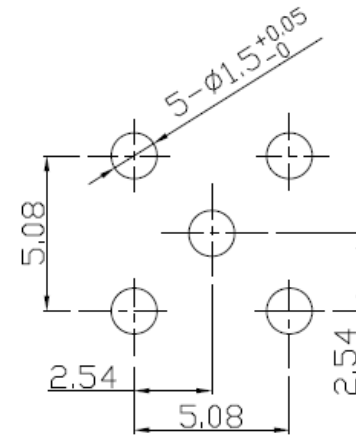
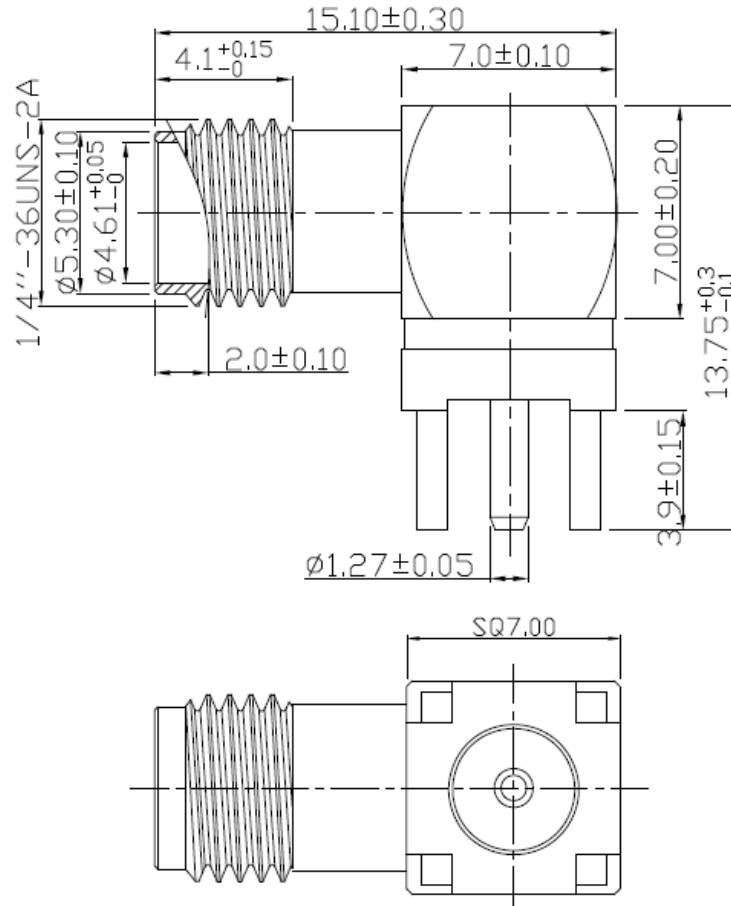


ROHS



SMA female Right Angle connector for PCB

Unit mm

Scale 1:1

Material

Body Brass Gold-Plating

Center PIN Brass Gold-Plating

Insulator PTFE White